

FACT SHEET

PENDULUM SAWS (SWING SAWS, CUT-OFF TRIM SAWS)

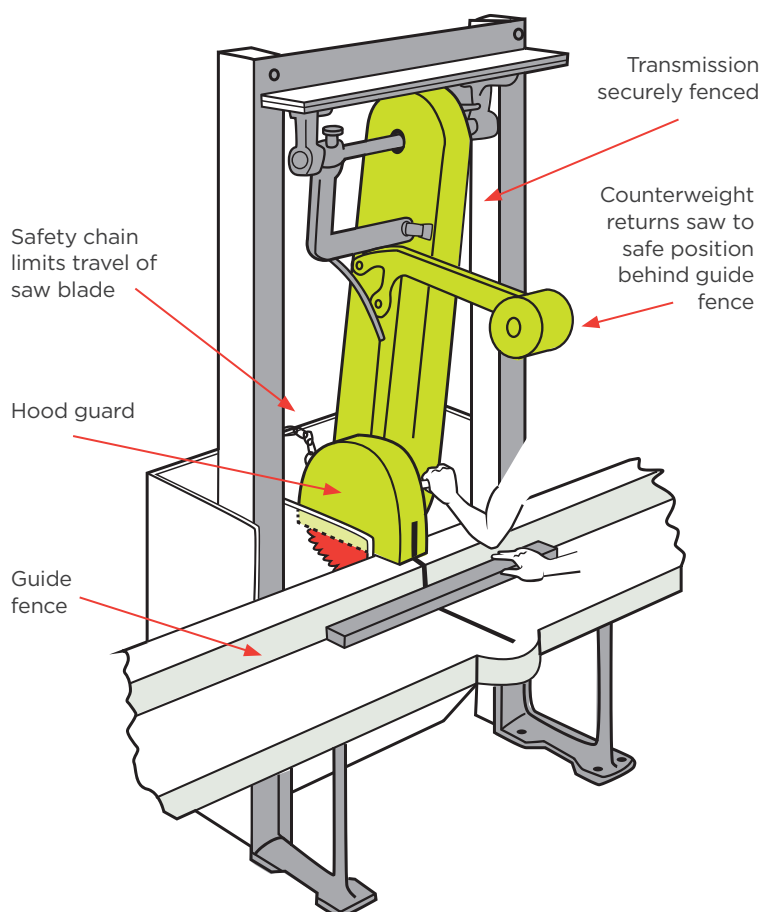
Pendulum saws have a frame suspended from a shaft over the work table, and are fitted with a single circular crosscut blade. A handle on the saw frame enables the operator to draw it forward when making a cut.

Pendulum saws are used in timber yards for cutting timber to specific requirements,

and for items like pallets and packing cases. Timber is placed against the fence by hand.

Pendulum saws must be positioned to minimise the chance of contact with the transmission and the blade. Counter-balancing is placed so that the saw remains away from the back of the bench when not in use.

FIGURE 1: PENDULUM SAW



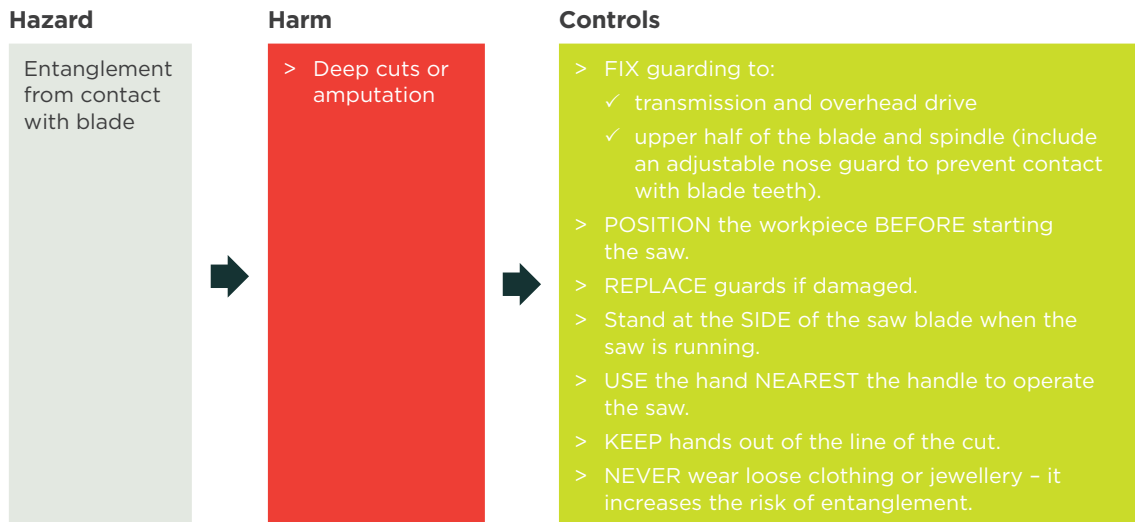
HAZARDS:

- > Entanglement from contact with blade
- > Unrestrained movement
- > Contact or impact from flying debris
- > Noise
- > Dust
- > Slips, trips and falls
- > Contact or impact from unexpected movement (during maintenance, cleaning & repairs)

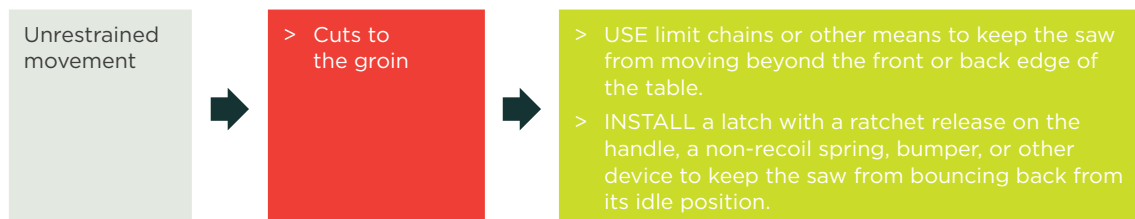
PPE:



TASK - POSITION THE WORKPIECE & MAKE THE CUT



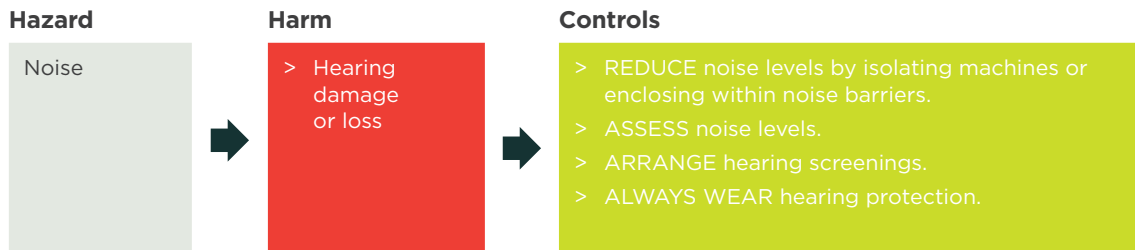
Blades running down to stop after a cycle present a hazard if they can be reached before they have stopped turning. Saw blades MUST stop moving within 10 seconds of power being switched off. Blades may be exposed if the saw doesn't rest behind the fence, or if access is possible from behind the saw.



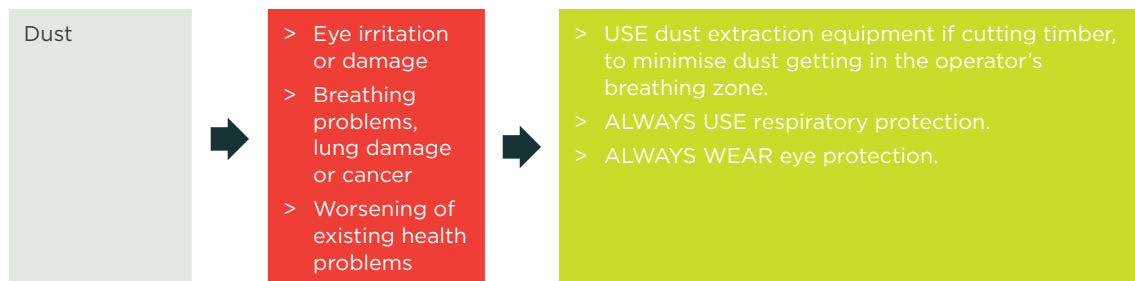
Saws with unrestrained movement can be pulled forward beyond the edge of the bench. Saws may bounce forward from the backstop.



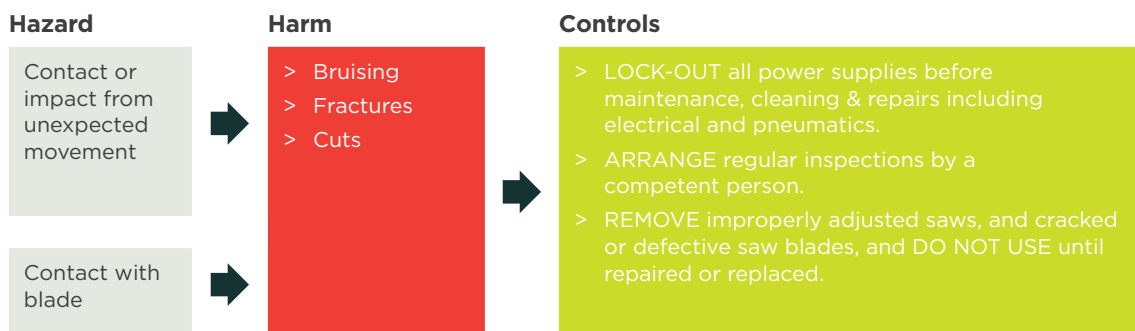
OTHER (NON-MECHANICAL) HAZARDS



A safe noise level over an eight hour day is 85dB(A). A pendulum saw may exceed this noise intensity.



TASK - MAINTENANCE, CLEANING & REPAIRS



References, current standards and further information can be found on the Safe Use of Machinery project page at: www.worksafe.govt.nz

PUBLISHED: APRIL 2014. CURRENT UNTIL REVIEW IN 2017