



October 2019

Suburban recreational vehicle (RV) water heaters running on LPG

This safety alert highlights the significant health and safety risk to owners and users of caravans, motor homes or camper trailers which have certain models of suburban recreational vehicle (RV) water heaters running on LPG.

APPLIANCE	MODELS AFFECTED	SERIAL NUMBERS AFFECTED
Suburban RV water heaters (certified under AGA 4624)	<ul style="list-style-type: none"> - SW6DEA - SW4DEA - SW6DEA - SW6PA - SW6DA - SW4DA - SW6DECA (Dual Fuel) 	<ul style="list-style-type: none"> - From 181315552 to 193002648 - Also 8183311827 and 8190201139 <p>Notes:</p> <ol style="list-style-type: none"> 1. These were manufactured from 4 April 2018 to 1 August 2019. 2. Some serial numbers will end in a 'D'.

What happened?

WorkSafe New Zealand's counterpart for gas in South Australia has identified a fault in a type of gas water heater in which carbon monoxide was found to be entering a motorhome's cabin.

A recall of these water heaters is being considered Australia. These water heaters are also being supplied into the New Zealand market.

From 25 September 2019, the Australian Gas Association (AGA) suspended its certification (AGA 4624) on this range. New Zealand gas appliance importers (including caravan importers) may not supply gas appliances unless they have valid certification.

WorkSafe has alerted the Product Safety group in the Ministry of Business, Innovation and Employment of the hazard and a possible recall from New Zealand suppliers.

What we know

Under certain conditions, these water heaters can generate elevated levels of carbon monoxide (CO) which, in some instances, may spill into the caravan, motor home or camper trailer. Carbon monoxide is a colourless, odourless gas that can adversely affect a person's health when inhaled.

Carbon monoxide can be lethal at high concentrations

For more information on carbon monoxide, visit our website: worksafe.govt.nz

The safety issues only apply while the appliance is operating on gas. If your suburban water heater can heat water from an electrical supply as well as from LPG, it is safe to continue operating the appliance from electricity only.

Our advice

Immediately stop using the appliance and do not allow anyone else to use this appliance.

Identify whether the water heater is one of the affected models, by checking if the serial number falls within the ranges listed in the table above. This can be done by checking the appliance data plates found under the front cover plate of the hot water heater (see instructions below). If you are unable to do this, your caravan service agent or a licensed gasfitter should be able to assist.

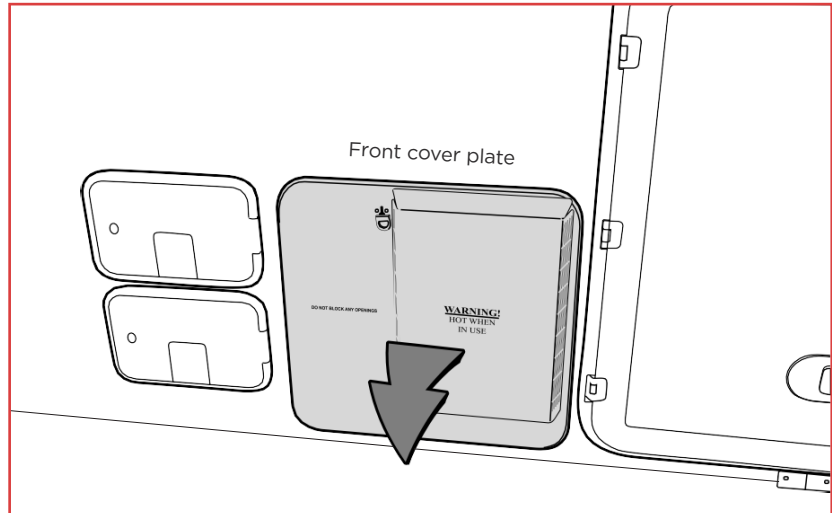
If the water heater has its own isolation valve, the valve to this appliance must be turned off until the appliance and installation has been rectified. This valve (if fitted) may be found in the cabin of the RV close to the gas inlet to the appliance.

Further safety notices or recall notices may be issued by the New Zealand importer of the appliance as to what actions are required to rectify the safety issues.

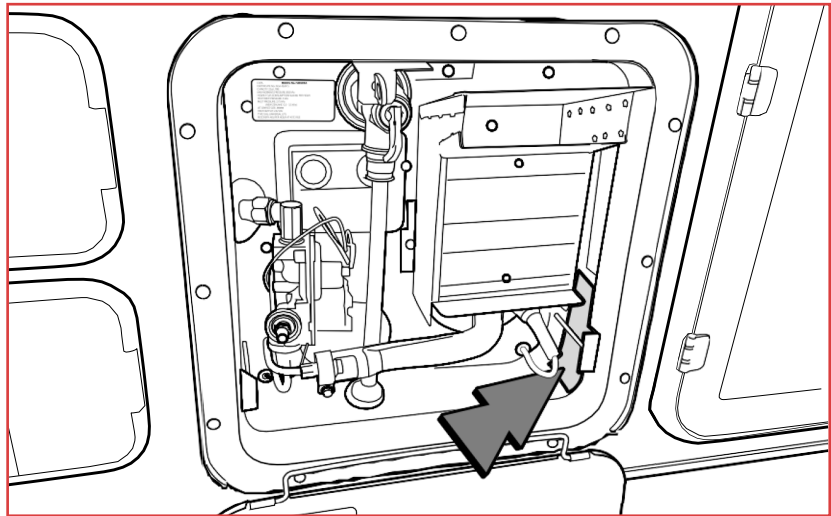
How to check your appliance's model and serial number

- 1 Remove the hot water heater cover plate**

Make sure to let it cool first if the appliance has recently been used.



- 2 Locate the technical specification plates**



- 3 Check the model number and serial numbers**

FOR USE WITH UNIVERSAL LPG		INDOOR USE ONLY APPLICATION NUMBER Q001451PX4 RELIEF VALVE PRESSURE 850 kPa MAX
MODEL	SWDEA	
SERIAL NUMBER	181315552	
ORIFICE SIZE	0.89 mm	
TANK CAP	22.6 litres	
TEST PRESSURE	300 PSI	
WORKING PRESSURE	850 kPa	
GAS INPUT	9.60 MJ/h	
RECOVERY	40 Litres/h at 45°C rise	
240 V. 50 HZ. 1440 WATTS 6 AMPS POWER 10 kw		